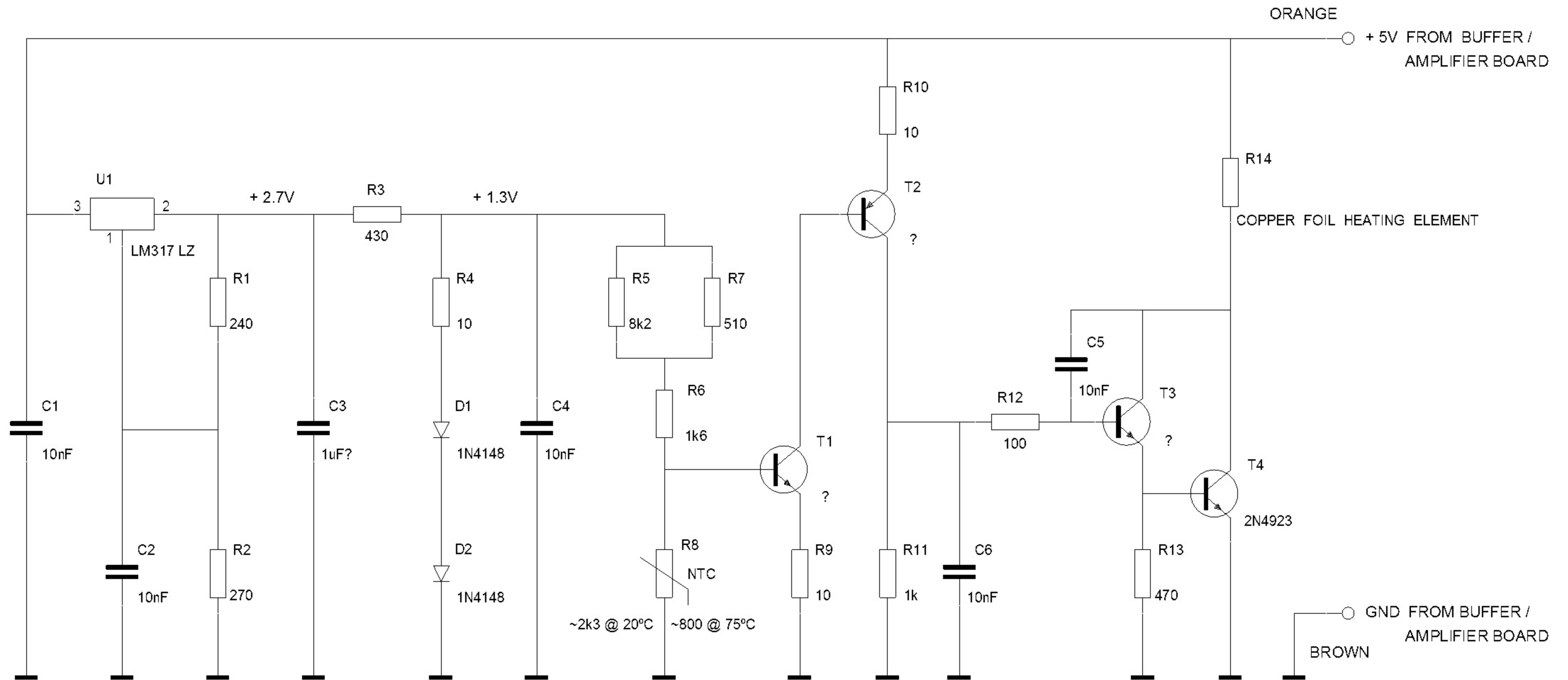


THE ABOVE CIRCUIT IS KEPT AT A STABLE TEMPERATURE OF AROUND 75°C BY THE OVEN CONTROLLER CIRCUIT (PAGE 2)

* C13 IS A HERMETICALLY SEALED SOLID-ELECTROLYTE TANTALUM CAPACITOR WITH AN ESR < 1.5 OHM

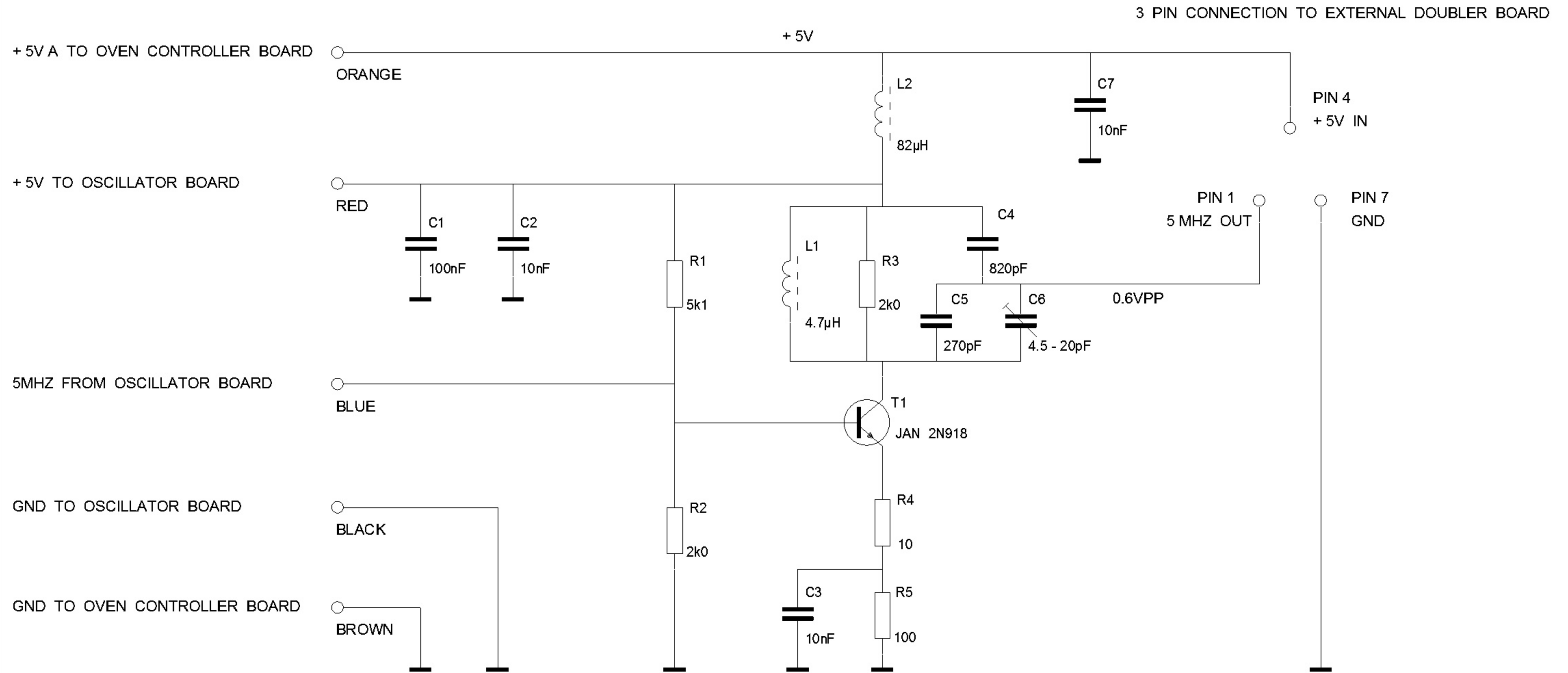
REV: 1	DATE: FEBRUARI 12. 2016	ENG: JAAP RUSTICUS
PROJECT: RACAL - DANA 9462 OVEN - 5 MHZ CRYSTAL OSCILLATOR		
COMPANY: JAAP RUSTICUS PA0JRK		
ADDRESS:		
CITY: BUITENPOST		
COUNTRY: NETHERLANDS		
INITIAL	PAGE: 1	OF: 3



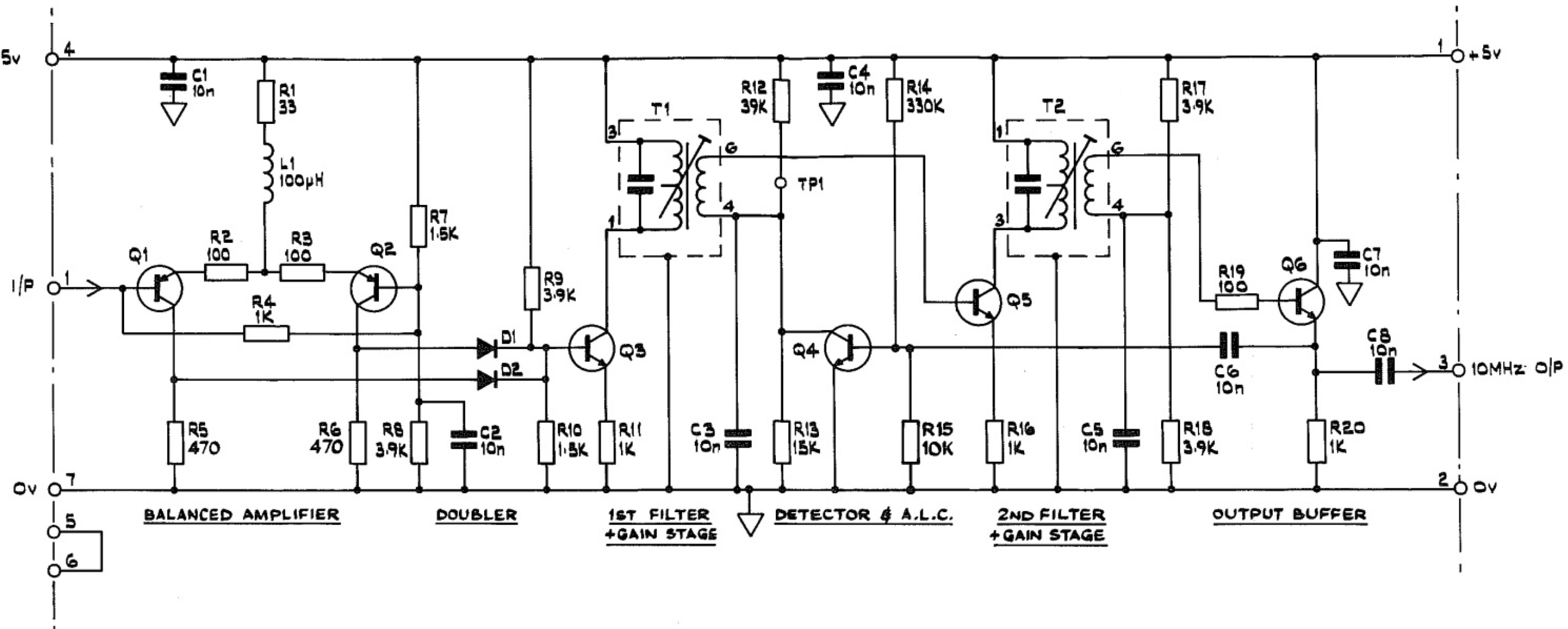
THE ABOVE CIRCUIT MAKES A STABLE TEMPERATURE OF AROUND 75°C FOR THE CRYSTAL OSCILLATOR (PAGE 1),
AND IS BUILT ON A FLEXIBLE PCB WRAPPED AROUND THE OSCILLATOR ENCLOSURE METAL BOX

* R5 IS THE TEMPERATURE SETTING RESISTOR

REV: 1	DATE: FEBRUARI 12. 2016	ENG: JAAP RUSTICUS
PROJECT: RACAL - DANA 9462 OVEN - OVEN CONTROLLER		
COMPANY: JAAP RUSTICUS PA0JRK		
ADDRESS:		
CITY: BUITENPOST		
COUNTRY: NETHERLANDS		
INITIAL	PAGE: 2	OF: 3



REV: 1	DATE: FEBRUARI 12. 2016	ENG: JAAP RUSTICUS
PROJECT: RACAL - DANA 9462 OVEN - BUFFER / AMPLIFIER		
COMPANY: JAAP RUSTICUS PA0JRK		
ADDRESS:		
CITY: BUITENPOST		
COUNTRY: NETHERLANDS		
INITIAL	PAGE: 3	OF: 3



BALANCED AMPLIFIER

DOUBLER

**1ST FILTER
+ GAIN STAGE**

DETECTOR & A.L.C.

**2ND FILTER
+ GAIN STAGE**

OUTPUT BUFFER